

LOWER TREADMILL COMPONENTS
SEE PAGES 2 THRU 6

DISPLAY / CONSOLE COMPONENTS
SEE PAGE 7

TARGAS AND HANDRAILS
SEE PAGE 8

NOTES:

 FOR SHIPPING ONLY.

C932i

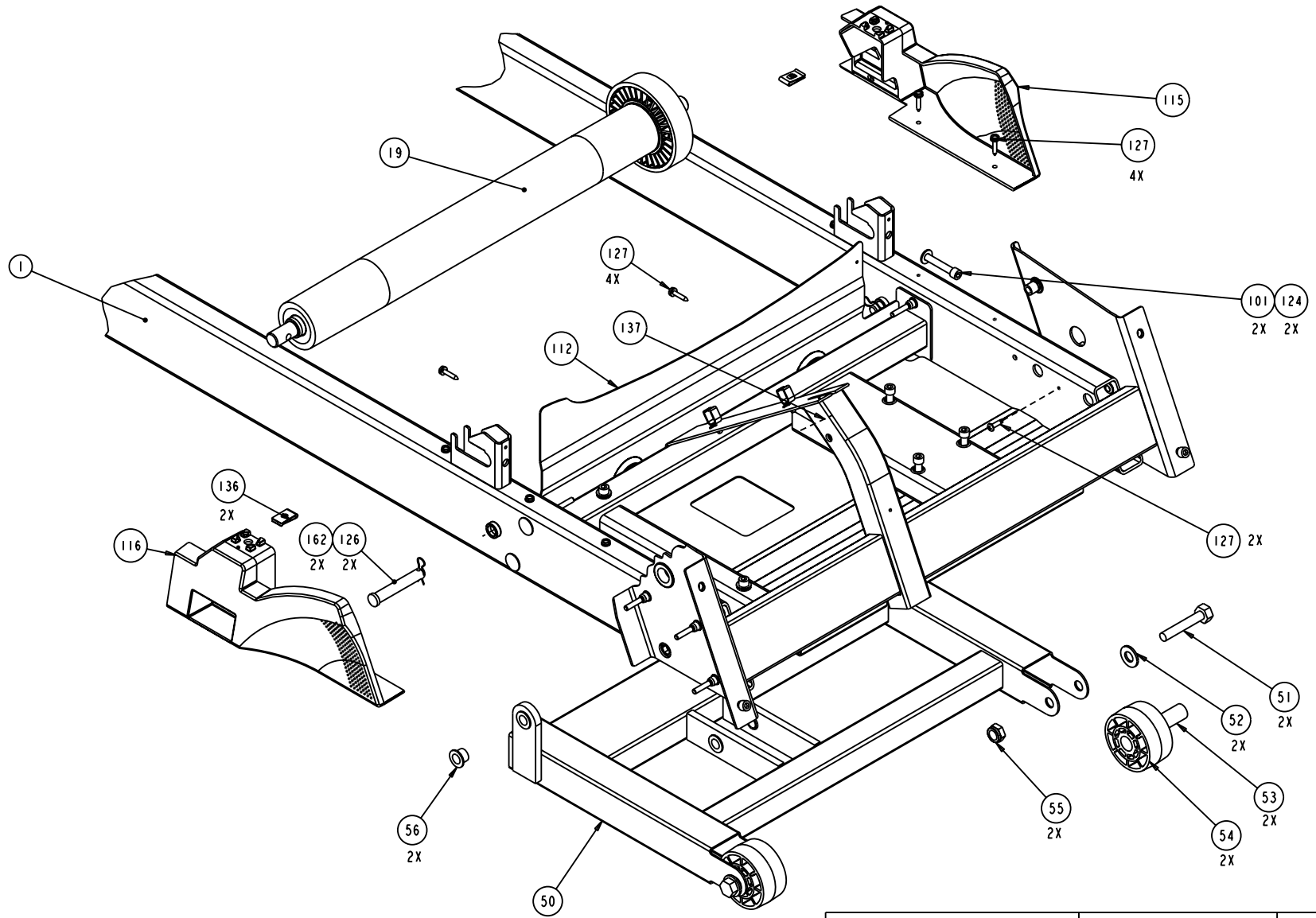
P/N 48302-101

REV: G

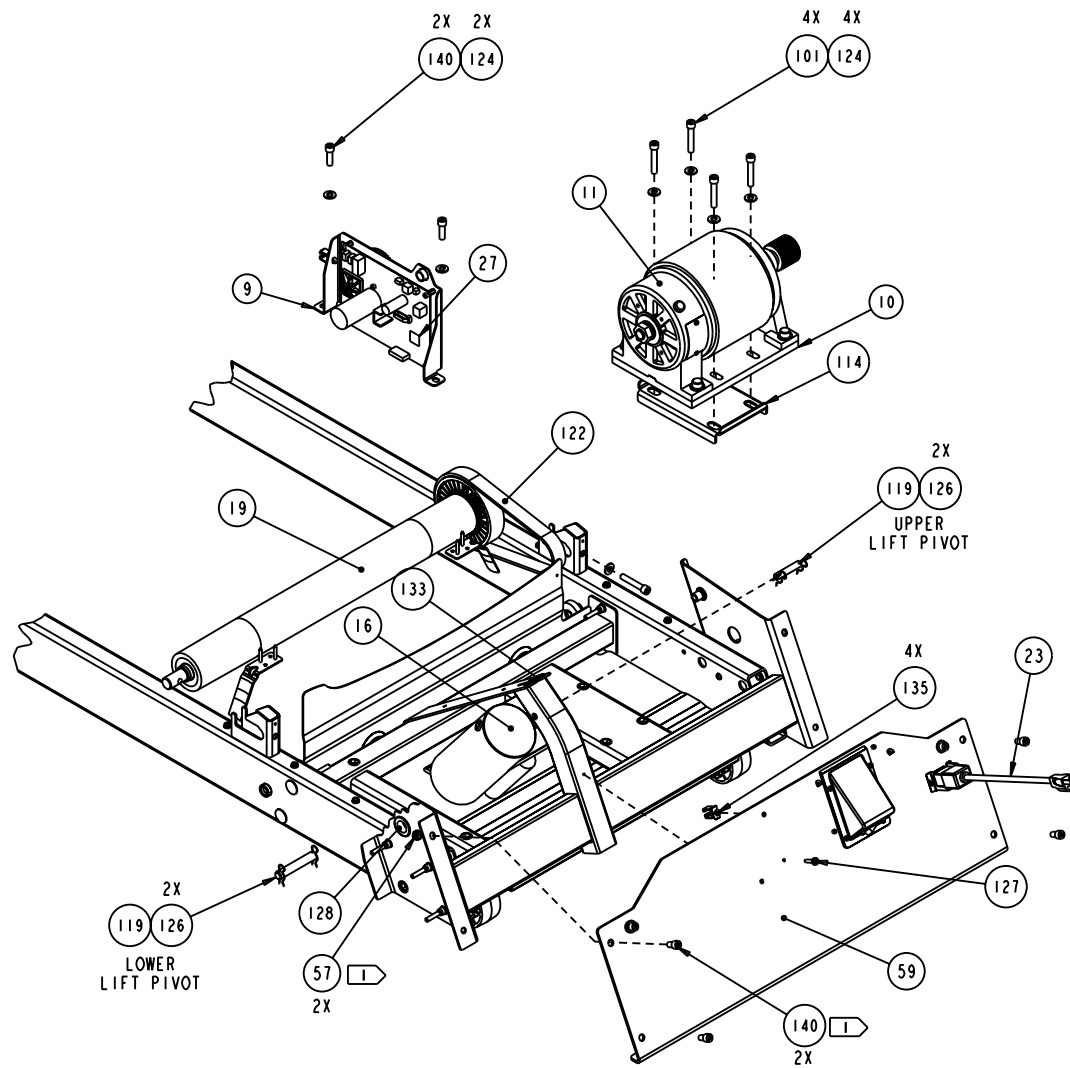
DRAWN BY: C THOMSON

DATE: 07.27.07

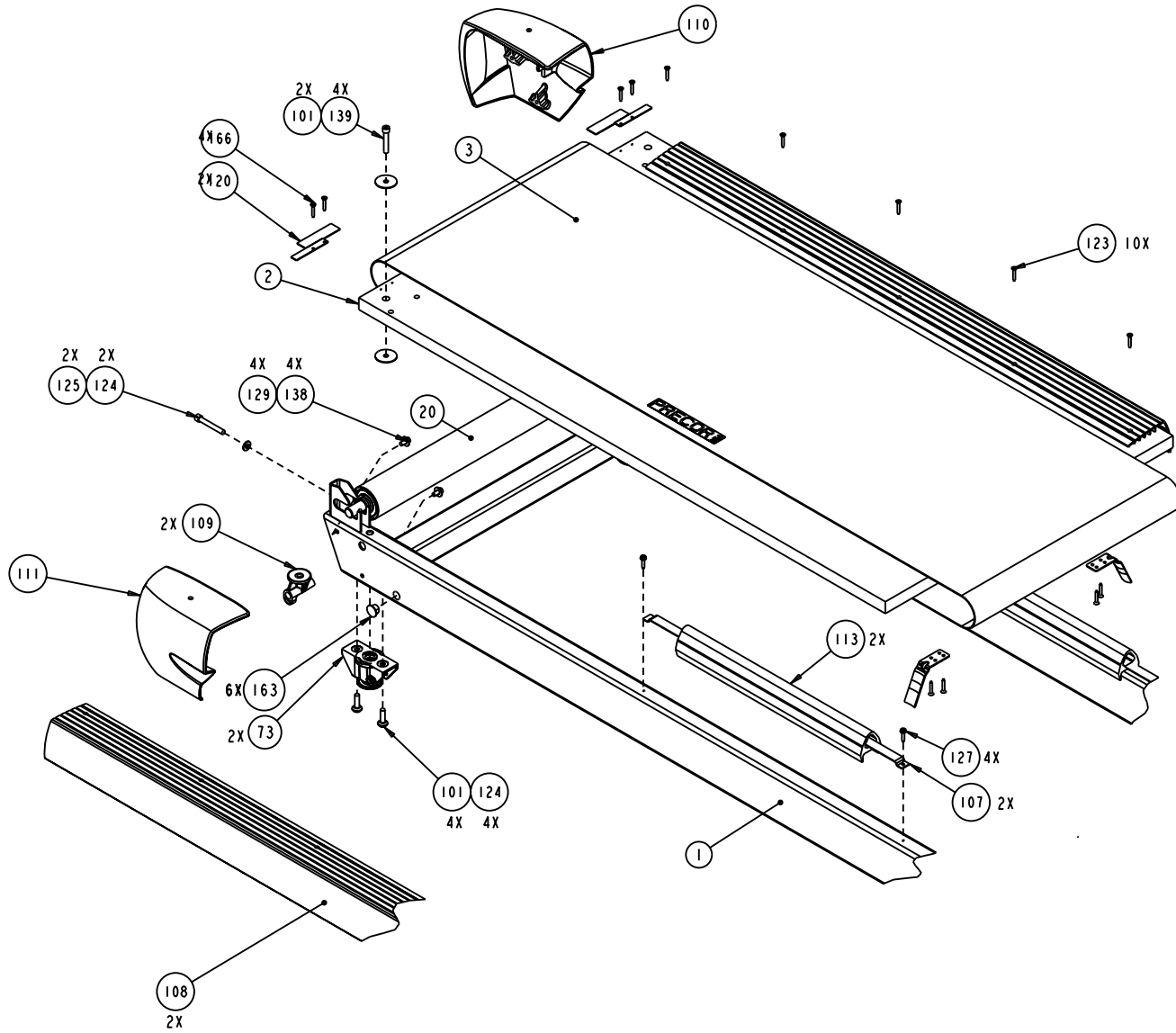
SHEET 1 OF 8



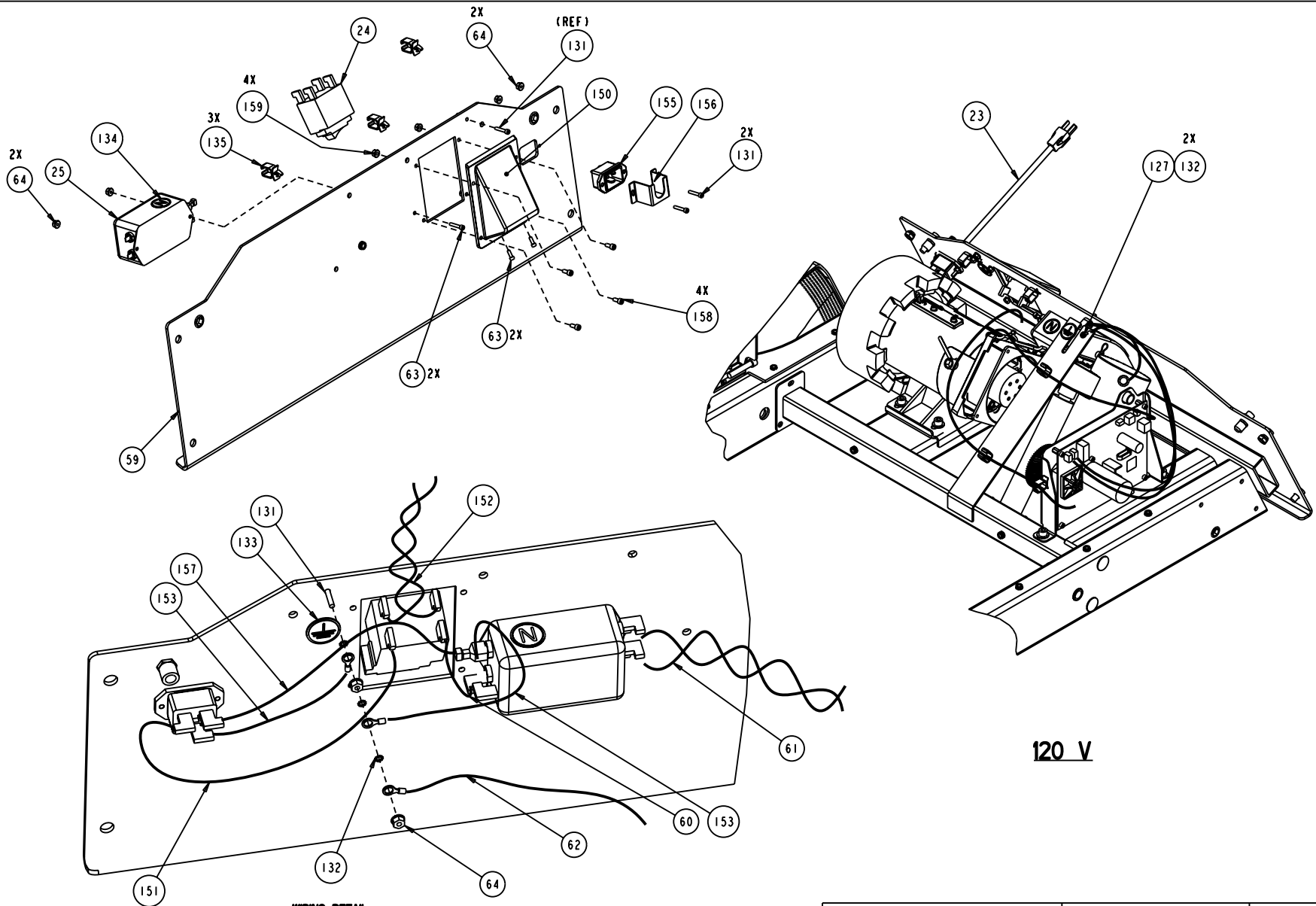
C932i	P/N 48302-101	REV: G
DRAWN BY: C THOMSON	DATE: 07.27.07	SHEET 2 OF 8



C932i	P/N 48302-101	REV: G
DRAWN BY: C THOMSON	DATE: 07.27.07	SHEET 3 OF 8



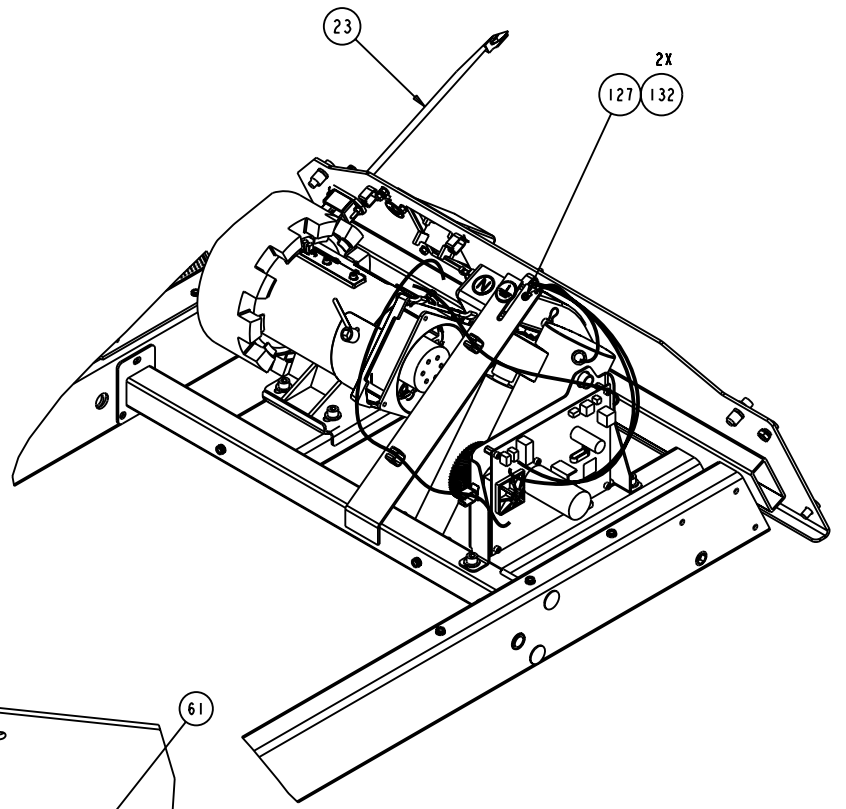
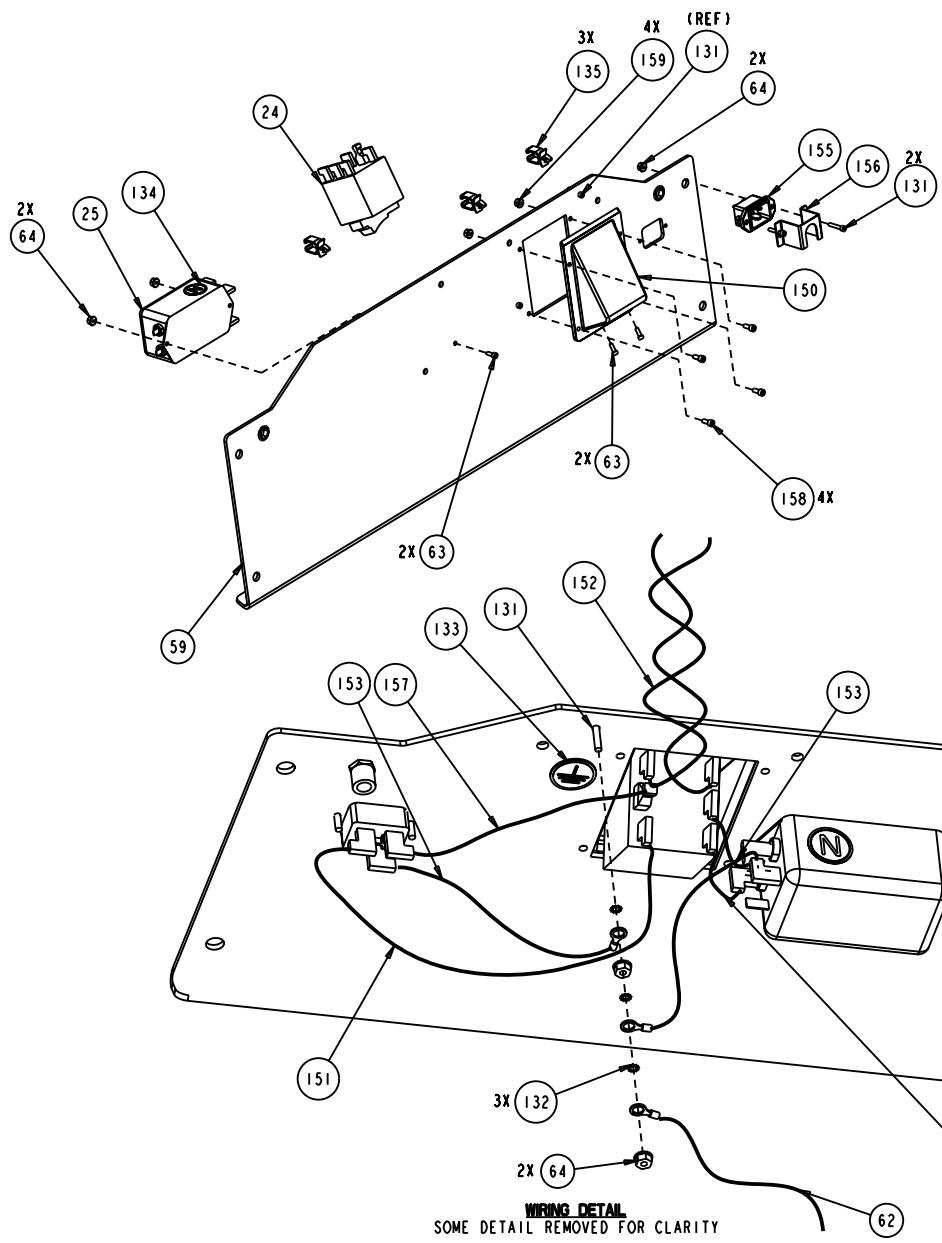
C932i	P/N 48302-101	REV: G
DRAWN BY: C THOMSON	DATE: 07.27.07	SHEET 4 OF 8



120 V

WIRING DETAIL
SOME DETAIL REMOVED FOR CLARITY

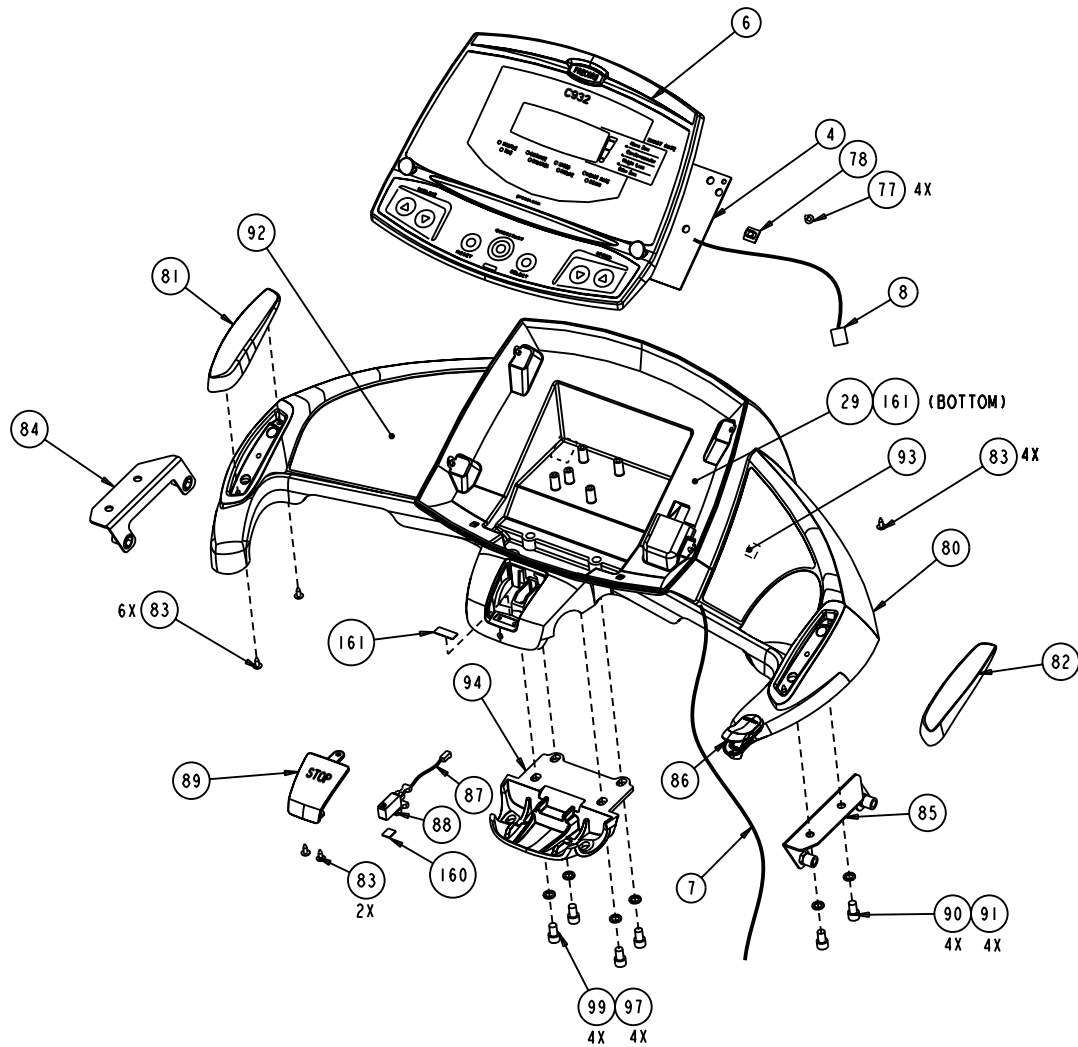
C932i	P/N 48302-101	REV: G
DRAWN BY: C THOMSON	DATE: 07.27.07	SHEET 5 OF 8



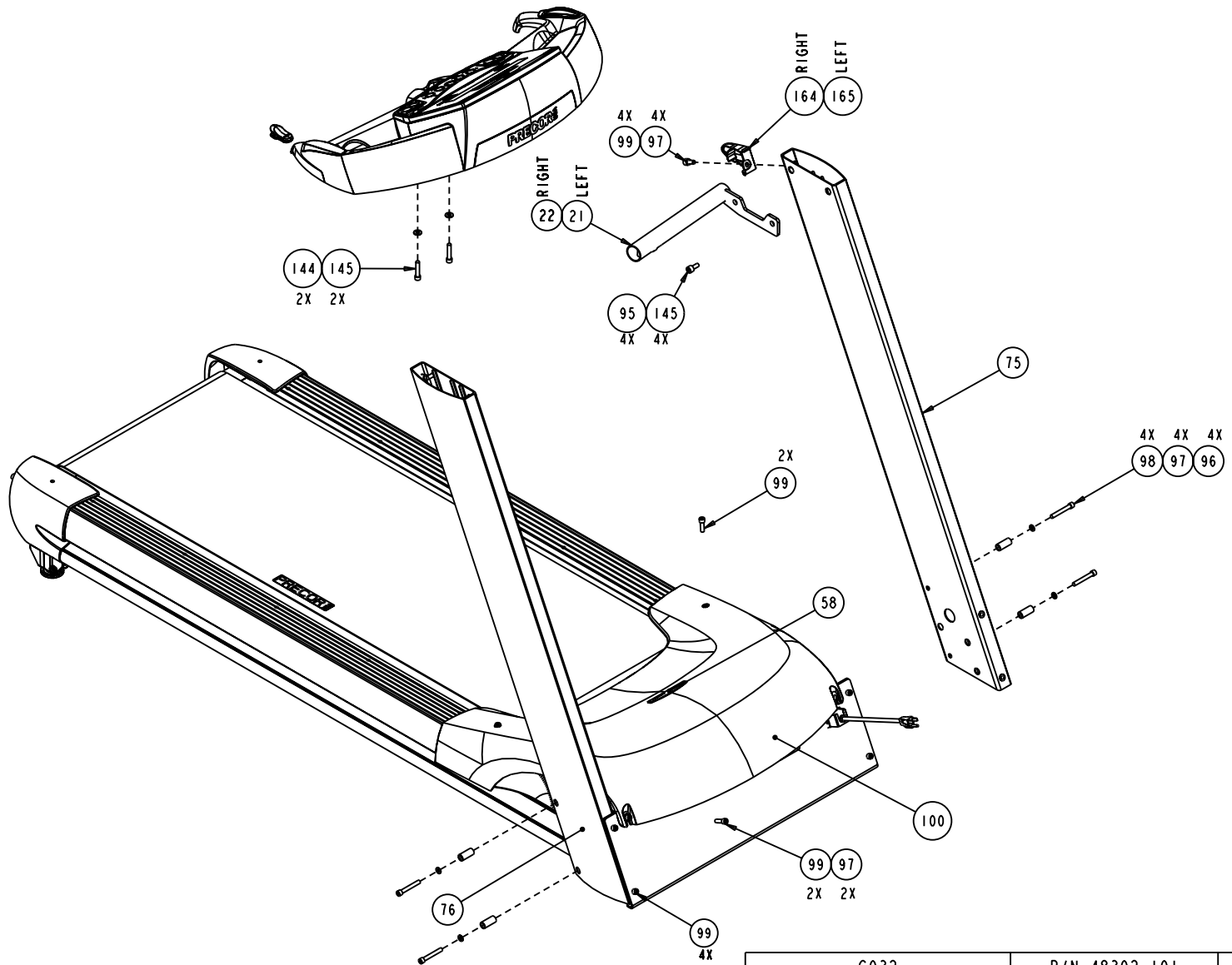
240 V

WIRING DETAIL
SOME DETAIL REMOVED FOR CLARITY

C932i	P/N 48302-101	REV: G
DRAWN BY: C THOMSON	DATE: 07.27.07	SHEET 6 OF 8



C932i	P/N 48302-101	REV: G
DRAWN BY: C THOMSON	DATE: 07.27.07	SHEET 7 OF 8



C932	P/N 48302-101	REV: G
DRAWN BY: C THOMSON	DATE: 07.27.07	SHEET 8 OF 8